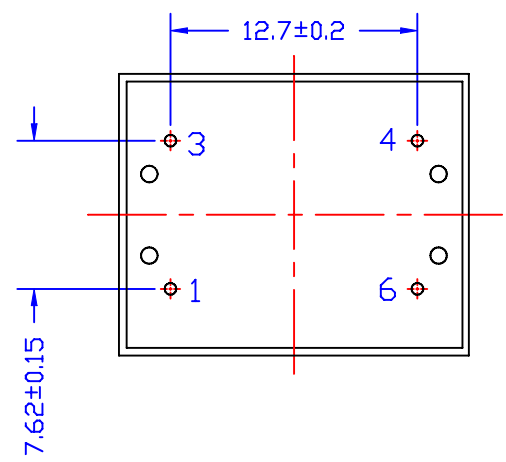


OPTIMUM CLASS (B) 600 OHM MATCH



- ELECTRICAL CHARACTERISTICS: (TRUE V.34bis 3750V)
1. D.C.R. : PIN 1-3 = 80 OHM+/-10% PIN 6-4 = 100 OHM+/-10%
 2. INDUCTANCE(@1KHZ,0.1Vrms) PIN 1-3 = 4H MIN.
 3. LEAKAGE INDUCTANCE(@1KHZ,0.1Vrms) : PIN 1-3 = 8mH MAX.
 4. RETURN LOSS : (REF. 600 OHM) 200 TO 4KHZ = 32dB MIN.
@ 1KHZ = 42dB MIN.
 5. INSERTION LOSS : (@1KHZ, 1Vrms) 1.7dB MAX.
 6. FREQ. RESPONSE: (REF. 1KHZ) 200 TO 4KHZ = +/-0.08dB
 7. LONGITUDINAL BALANCE : 200HZ-4KHZ 70dB MIN.
 8. TURN RATIO : (@5KHZ, 0.1Vrms) PIN 1-3 : 4-6 = 1+/-1%
 9. DISTORTION : 300HZ, -10dBm : -86dB MAX.
 10. HI-POT : (3750 VAC, 1mA, 1MIN.) PIN 1-6
 11. RoHS COMPLIANCE.

| | | | | | | | | |
|-----------|-------------|------|----|-----|------|--|-------------------------------|--|
| | | | | | | Atech [®] Atech Technology Co., Ltd. TEL:(02)2794-6667 FAX:(02)2794-8004 | TITLE 600: 422 TRANSFORMER | |
| | | | | | | | DWG. NO. ATS-199R | |
| | | | | | | UNITS: | SAFETY | |
| NO: | DESCRIPTION | DATE | BY | CHK | APPD | DATE | SHEET 1 OF 1 | |
| REVISIONS | | | | | | DRAW | | |